

AVC-NMS21P

2MP H.265 PINHOLE LENS NETWORK CAMERA



2MP H.265 PINHOLE LENS NETWORK CAMERA

2MP H.265 PINHOLE LENS NETWORK CAMERA

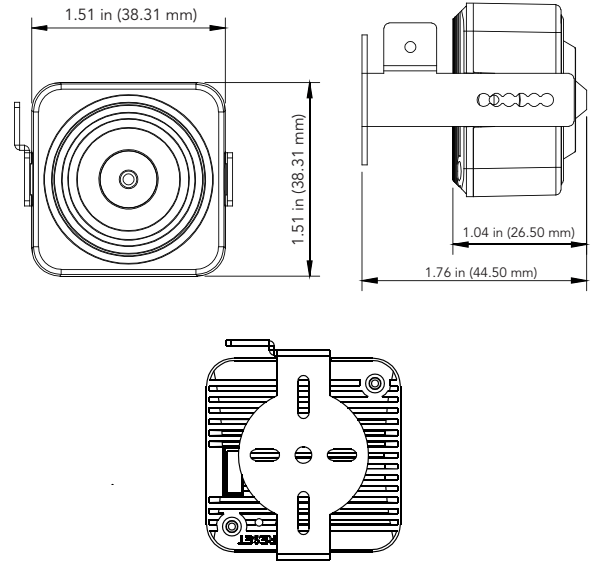
The AVC-NMS21P camera is a 2MP H.265 Pinhole Lens Network Camera with integrated Smart Features such as Face, Human and Vehicle Detection. This 2MP IP camera supports PoE and includes a fixed 3.7mm Lens. Also standard with this series is Digital NR, ROI, True WDR, and BLC capabilities along with an audio input and output.

FUNCTIONS

- ° 2MP (1920 x 1080) @ 30fps
- ° Max. Resolution: 1920 x 1080
- ° Supports Smart H.265/H.264 Encoding
- ° Fixed 3.7 mm Lens
- ° 3D DNR, DWDR, BLC and ROI Encoding
- ° Supports Facial, Human and Vehicle Detection
- ° Supports Audio Input and Audio Output
- ° Supports Triple Streams
- ° Supports ONVIF Profiles S and G
- ° Supports Remote Access with Windows, macOS, iOS and Android
- ° Operating Temperature: -22°F - 131°F
- ° DC12V / PoE (802.3af, 4W)

DIMENSIONS

Unit : inch (mm)



OPTIONAL ACCESSORIES



AVA-MICSPKSRN
AUDIBLE AND VISUAL ALARM DEVICE



AVYCON[®]

Copyright © AVYCON. All rights reserved. Specifications and pricing are subject to change without notice.

AVC-NMS21P
2MP H.265 PINHOLE LENS NETWORK CAMERA

SPECIFICATIONS

CAMERA	
Image Sensor	1/2.8" Progressive Scan CMOS
Resolution	2MP
Image Size	1920 x 1080
Min. Illumination	Color: 0.01lux @ F1.2(AGC ON)
Shutter Speed	1/5s ~ 1/20000s
Slow Shutter	Supported
IR Distance	N/A
Lens	Fixed 3.7mm
Field of View	141°
WDR	120dB
VIDEO STREAM	
Max. Image Resolution	1920 x 1080
Supported Resolutions	1920 x 1080, 1280 x 720, 640 x 480, 320 x 240
Main Stream	1920 x 1080, 1280 x 720 @ 30fps
Sub Stream	1280 x 720, 640 x 480, 320 x 240 @ 10 fps
Third Stream	640 x 480, 320 x 240 @ 10 fps
Video Compression	H.265 / H.264
Video Bit Rate	128 Kbps ~ 8 Mbps (CBR / VBR Adjustable)
NETWORK	
Ethernet	1 x RJ45 10M / 100M Ethernet Port
ONVIF	ONVIF Profile S / G
Protocol	HTTP, HTTPS, FTP, SMTP, UPnP, SNMP, DNS, DDNS, NTP, RTSP, RTP, TCP/IP, PPPoE, DHCP
IMAGE	
Day & Night	Manual
True WDR	Yes
Digital NR	Yes (3D DNR)
Backlight Compensation (BLC)	Yes
HLC	N/A
ROI	Yes
Privacy Mask	Supported
Sharpness	Yes
Image Setting	Rotate mode, Saturation, Brightness, Contrast, Hue, Sharpness adjustable
Language	Support for 12 Different Languages
VIDEO ANALYTICS	
Smart Events	Human Detection, Face Detection, Vehicle Detection
INTERFACE	
Audio	Audio In/Out
GENERAL	
Angle Adjustment	Any Angle
Input Voltage	DC 12V / PoE (802.3af)
Power Consumption	~ 4W
Ingress Protection	N/A
Weight	0.7lbs
Working Temperature	-22°~131° F (-30°~55° Celcius)
Dimensions	1.51" x 1.76" x 1.04" (38.31mm x 44.50mm x 26.50mm)



Copyright © AVYCON. All rights reserved. Specifications and pricing are subject to change without notice.

phone: 949-752-7606
email: info@avycon.com
social: @avycon_aivo
website: avycon.com